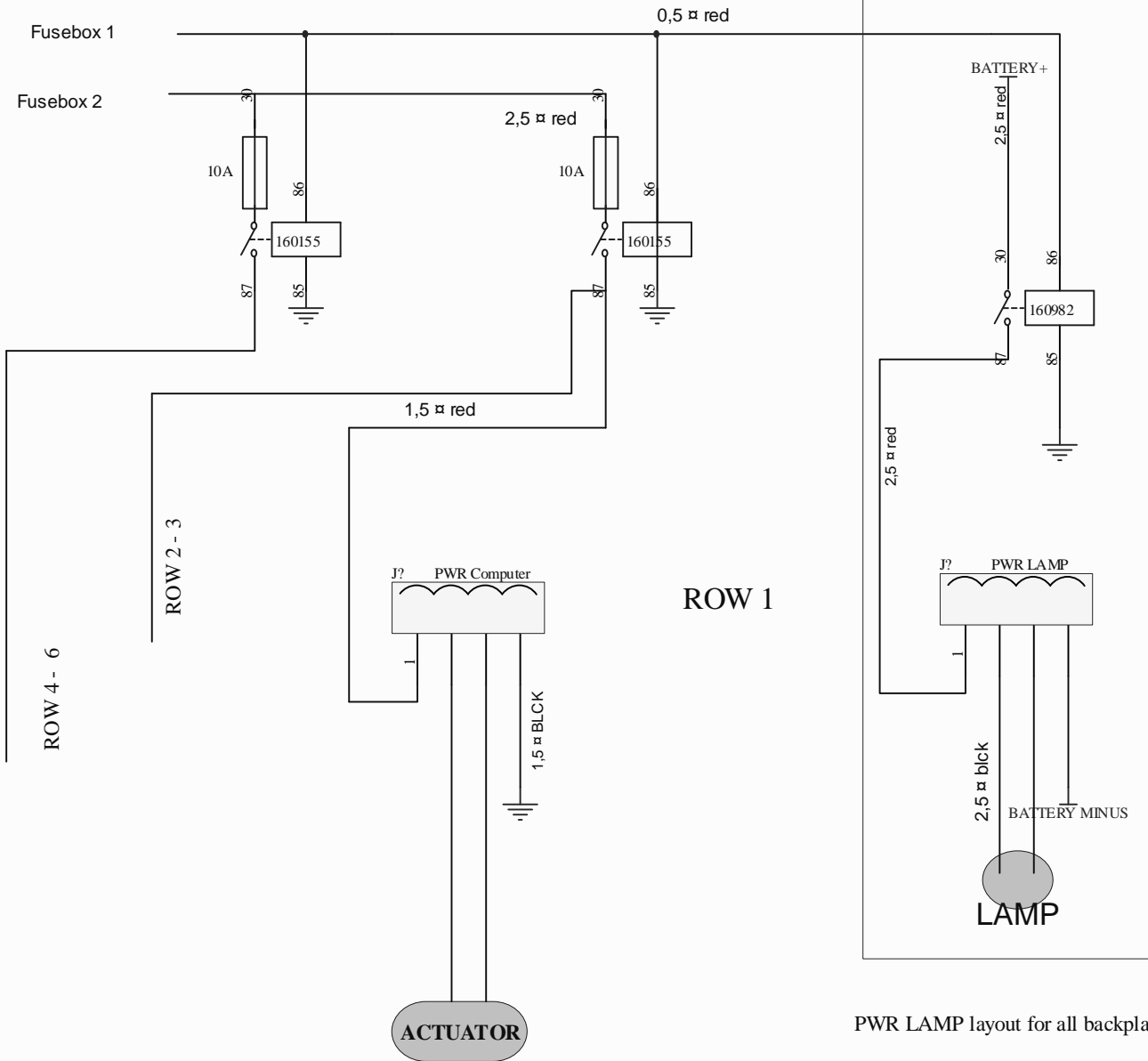


# POWER layout computers



Backplane V 11

PWR LAMP layout for all backplanes

Title		
Size	Number	Revision
A4		
Date:	01-05-2017	Sheet of
File:	E:\Documents\...\PWR_backplV11.SCHDOC Drawn By:	